



FOOD EQUIPMENT

SERVING THE FOOD INDUSTRY SINCE 1951

STAINLESS STEEL GRIDDLE

ITEM: 34869 MODEL: CE-CN-3000

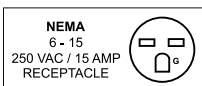


**GET YOUR MEALS COOKING
AND TASTING GREAT IN NO TIME**

Cook pancakes, eggs, bacon, hash browns and all of your favorite meals with Omcan's CE-CN-3000 Stainless Steel Griddle. Made up of stainless steel to ensure durability. Designed to be safe and energy efficient.



WARRANTY
PARTS AND LABOR



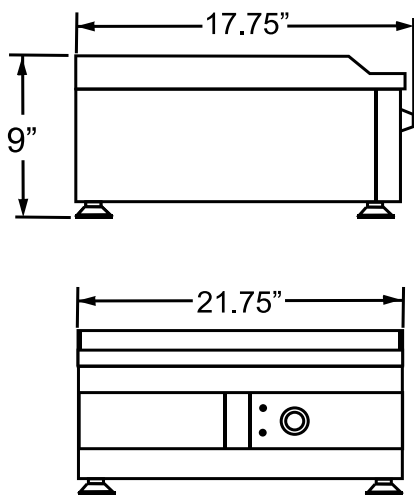
Authorized Dealer

FOOD EQUIPMENT

STAINLESS STEEL GRIDDLE CE-CN-3000 / 34869



TECHNICAL DRAWING AND DIMENSIONS

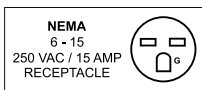


FEATURES

- Perfect for restaurants, hotels, etc.
- Stainless steel body with iron griddle
- Flat plate is made of high efficient cast iron
- Heavy duty heating element
- Has temperature control function.
- Temperature Range: 0°C - 300°C / 32°F - 572°F

TECHNICAL SPECIFICATIONS

ITEM NUMBER	34869
MODEL	CE-CN-3000
POWER	3 kW
TEMPERATURE RANGE	0°C - 300°C / 32°F - 572°F
COOKING AREA	21.75" x 13.75" / 552 x 349 mm
ELECTRICAL	220V / 60Hz / 1Ph
WEIGHT	23 kg. / 50.75 lbs.
DIMENSIONS (DWH)	17.75" x 21.75" x 9" / 451 x 552 x 229 mm



OMCAN INC.

Telephone: 1-800-465-0234
Fax: (905) 607-0234
Email: sales@omcan.com
Website: www.omcan.com



Follow us to keep up to date with the latest news and offers



2018.E.O.E